

WINDJET® 727

AIR CONTROL NOZZLES



A POWERFUL AIR CONTROL NOZZLE AVAILABLE IN VARIOUS MATERIALS

BENEFITS

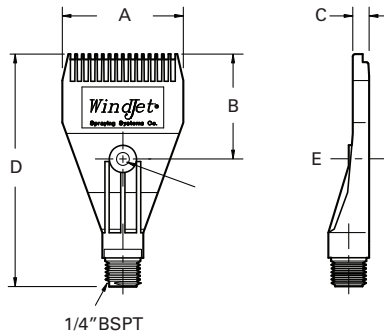
- The targeted air stream delivered by the nozzles can improve the effectiveness and efficiency of drying and blow-off applications. More complete drying, even in cracks and crevices is commonly achieved.
- Improved safety. The design of the WindJet® air nozzle prevents dead-ending should the nozzle accidentally be placed against a flat surface.
- Up to 60% reduction in perceived noise level, depending on the initial air pressure. At 7 bar, for example, an open pipe would produce a noise level of 98 dBa while our air nozzle would produce 85 dBa, a reduction of 13 dBa and a perceived noise reduction of 60%
- Installing multiple WindJet nozzles on a header will provide a uniform impact without lowering air pressure.
- New **PVDF (Kynar)** material for **Food Contact (EC10/2011, EC1935/2004, FDA)** is available. The **embedded metal particles** offer a huge safety advantage over other plastic materials. **Even very small pieces of this plastic material are detectable by metal detectors** (metal detectors need to be configured and calibrated correctly).
For more details we refer to the Declaration of Conformity.

SPECIFICATIONS

- Low noise
- Versatile application possibilities
- Choose from 4 materials
 - ABS (Acrylonitrile-Butadien-Styrol)
 - Ryton (PPS-Polyphenylensulfid)
 - SS (Stainless steel 1.4401)
 - **Kynar (PVDF)** material for **Food Contact (EC10/2011, EC1935/2004, FDA)** and **metal detector compliant (FDA compliant)**
- Temperature ratings up to 400°C for SS
- Maximum pressure up to 7 bar (plastic)
Maximum pressure up to 10 bar (SS)
- Excellent chemical resistance (PPS, PVDF, SS)
- Economical air consumption with high impact
- Mounting hole for fixation
- Air curtain when mounted on a manifold
- Simple installation: 1/4" BSPT thread

NEW
KY-FC 

DIMENSIONS



Part	Material	A (mm)	B (mm)	C (mm)	D (mm)	E (mm)
AAB727-1/4-xx	ABS	47	41	6	91	5
AAB727-1/4-RY-xx	Ryton / PPS					
AAB727-1/4-KY-xx-FC	Kynar / PVDF					
AAB727-1/4-SS-xx	Stainless Steel					

(xx = capacity size 11, 15 or 23)

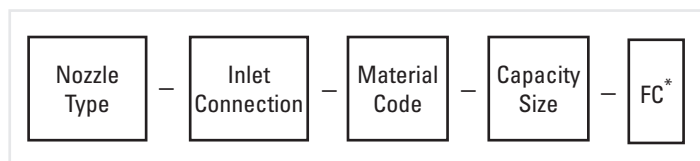
CAPACITY:

Type	Inlet	Capacity Size	Air Flow in Nm ³ /h (NI/min)		
			2 bar	4 bar	6 bar
AAB727	1/4"	11	15 (250)	24 (400)	33 (550)
		15	21 (350)	35 (583)	49 (817)
		23	31 (517)	51 (850)	72 (1200)

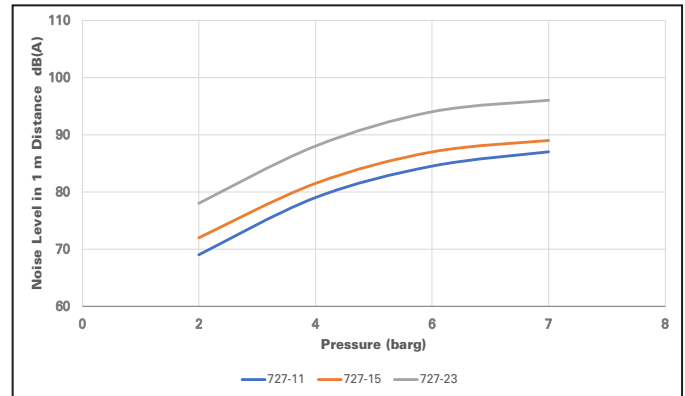
Material codes:

(no code)	ABS plastic
-RY	Ryton / PPS
-KY-...-FC	Kynar / PVDF (Food Contact) with metal inclusions
-SS	Stainless Steel 1.4401

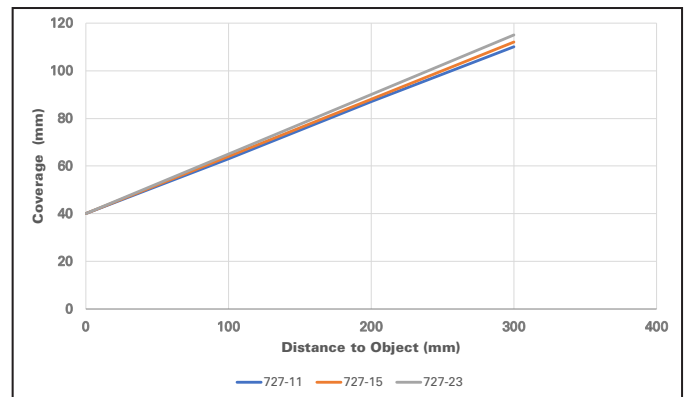
ORDERING INFORMATION



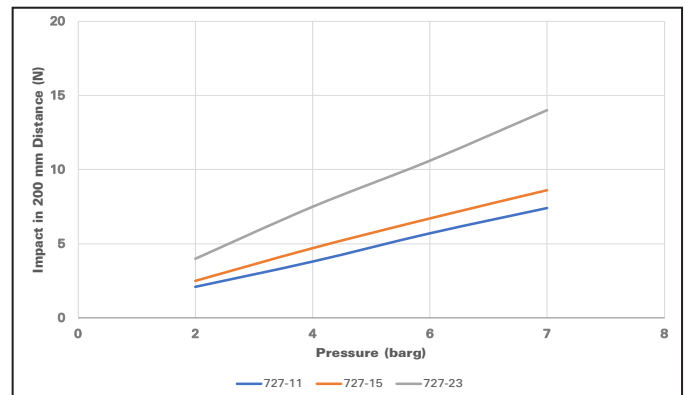
NOISE LEVEL AT 200 MM DISTANCE



COVERAGE AT 5 BAR



IMPACT FORCE AT 200 MM DISTANCE



A version in aluminium is available for the capacity size 15 and inlet connection 1/4" BSPT.

The order number is Y727-AL and Y727-B1/4-AL.

Example



For NPT connection remove the "B" and start with AA727-...

* Option -FC (Food/Contact) only available for -KY material code

MORE INFORMATION AVAILABLE ON WWW.SPRAY.COM